

## Thrust pads

for Grub screws DIN 6332, for Tommy screws  
DIN 6304 / DIN 6306

### SPECIFICATION

#### Type

Type **S**: with snap ring

Steel  
case hardened  
blackend

Snap ring  
Spring steel wire

### INFORMATION

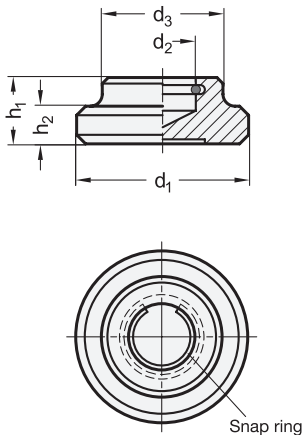
Thrust pads DIN 6311 are utilized to transmit clamping forces. They lean to uneven and unparallel surfaces and eliminate the transmission of any screw turning movement to the workpiece.

### TECHNICAL INFORMATION

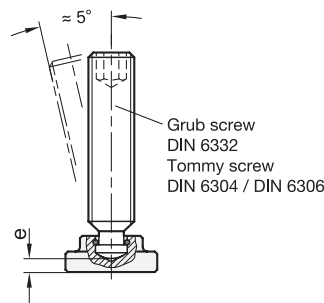
- ISO-Fundamental Tolerances (see page A21)

### HINTS FOR INSTALLATION

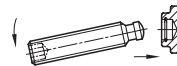
The thrust pad has to be held at an angle allowing the circlip to drop to the bottom of its groove with the split end downwards. The thrust pin is then offered up top the split end of the circlip at the lowest possible angle and pressed home.



#### Application example



#### Assembly instruction



### DIN 6311

Description	d1	d2 H12	d3	e ≈	h1	h2	Grub screw DIN 6332	⚖
DIN 6311-12-S	12	4.6	10	2.2	7	2.5	M 6	4
DIN 6311-16-S	16	6.1	12	3	9	4	M 8	9
DIN 6311-20-S	20	8.1	15	3.6	11	5	M 10   M 12	15
DIN 6311-25-S	25	8.1	18	4.5	13	6	M 10   M 12	33
DIN 6311-32-S	32	12.1	22	5.3	15	7	M 16	59
DIN 6311-40-S	40	15.6	28	5.6	16	9	M 20	105